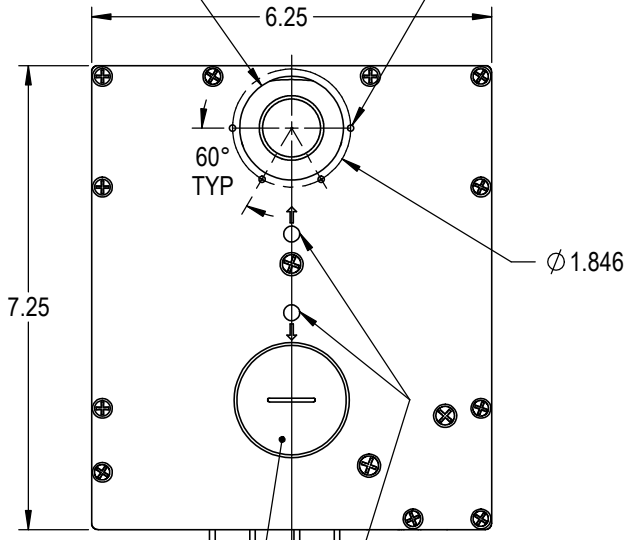


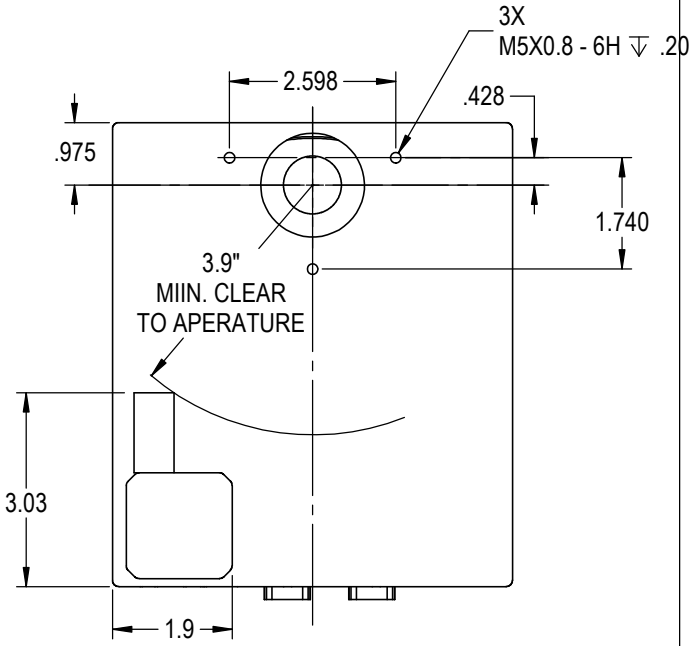
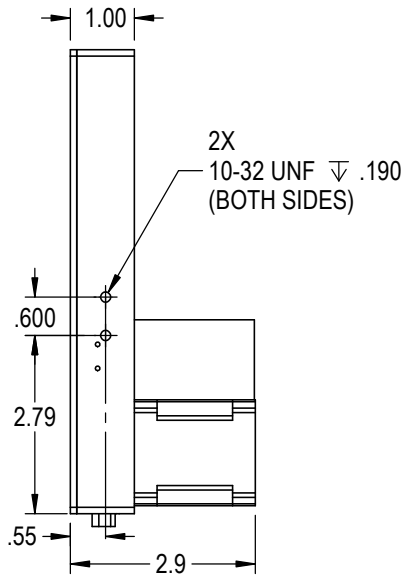
M42 x 0.75  
"T-THREAD"  
▽.125 MAX  
(BOTH SIDES)

4X  
M3X0.5 - 6H ▽.125

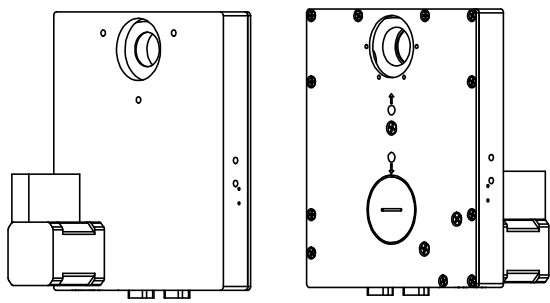
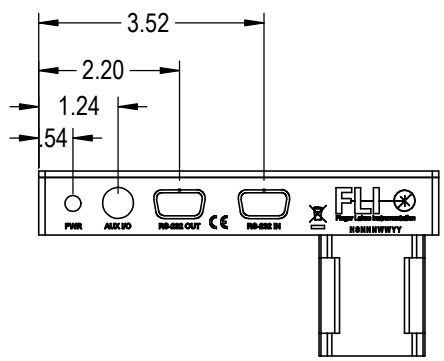


FILTER ACCESS PORT  
(PLUG W/ COIN SLOT)

WHEEL POSITION INDICATORS



NOTE:  
SIGNA-1025 HAS THE CAPACITY FOR (10) 25mm OR 1" FILTERS  
SIGNA-1032 HAS THE CAPACITY FOR (10) 32MM FILTERS



ISOMETRIC VIEWS

**Finger Lakes Instrumentation**

TITLE:  
GENERAL ARRANGEMENT  
SIGNA-1025 & 1032 FILTER WHEELS  
FLI

SIZE <b>A</b>	DWG. NO. SIGNA-1025 SIGNA-1032	REV JUN 2017
------------------	--------------------------------------	--------------------

SCALE: N/A | WEIGHT: ~3.4lbs | SHEET 1 OF 1