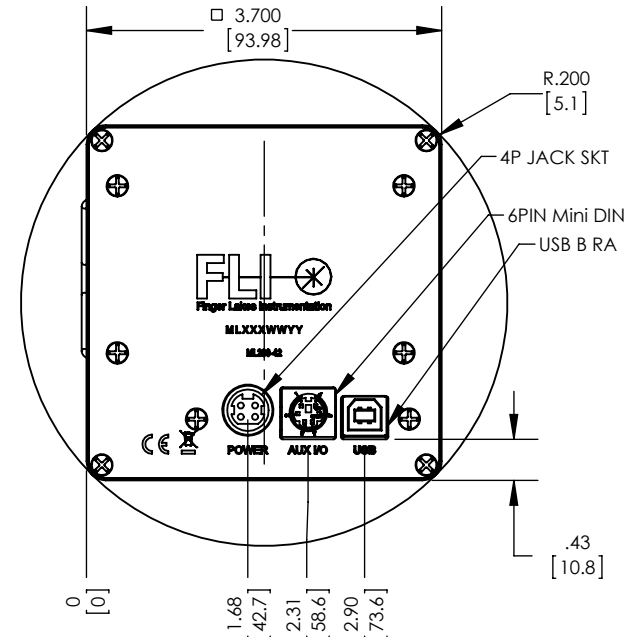
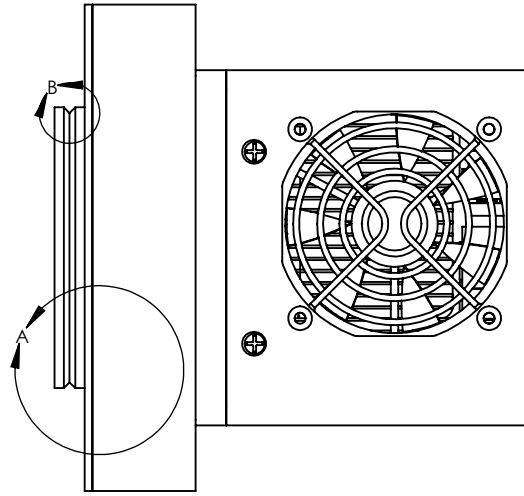
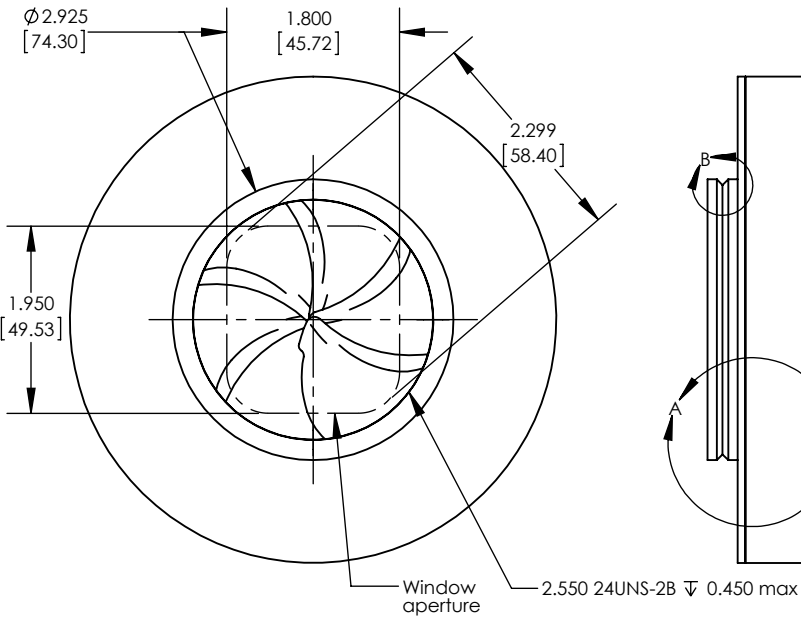
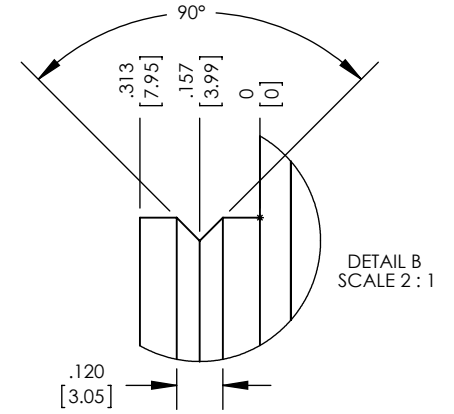
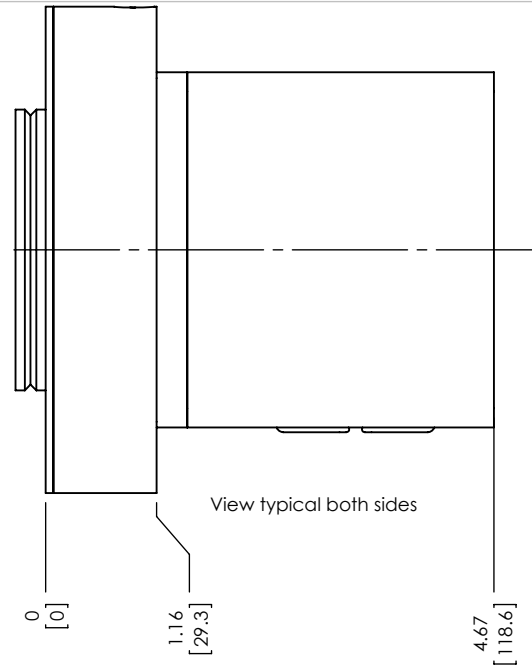
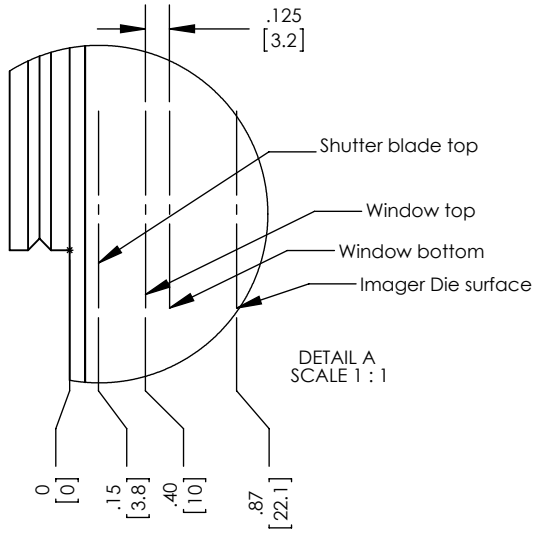


REV.	DESCRIPTION	DATE
A	Chng to 1.19" back focus	1/1/09
B	Add logo to rear cover	4/30/09
C	Move sn and logo	3/8/10
D	Add WEE symbol, new logo & focal plane	10/10/12



- NOTES:
- All dimensions are physical.
 - For optical distances:
 - Subtract 1mm for sealing window.
 - Subtract 0.3mm for CCD cover slip if present
 - Unless otherwise noted all dimensions are symmetrical about centerline.

M7HA-		NAME	DATE	Unless otherwise specified dimensions are in inches	SIZE
PROPRIETARY AND CONFIDENTIAL: THE INFORMATION CONTAINED IN THIS DRAWING IS THE SOLE PROPERTY OF FINGER LAKES INSTRUMENTATION. ANY REPRODUCTION IN PART OR AS A WHOLE WITHOUT THE WRITTEN PERMISSION OF FINGER LAKES INSTRUMENTATION IS PROHIBITED.	DRAWN	REC	08/11/15	TOLERANCES:	A
	ENG.			∠ : ±1°	WT:
	QUALITY			X.XX ±.01	REV
	PROD.			X.XXX ±.003	D
				X.XXXX ±.0005	SCALE: 1:2
	DO NOT SCALE DRAWING			INTERPRET GEOMETRIC TOLERANCING PER: ASME Y14.5	SHEET 1 OF 1