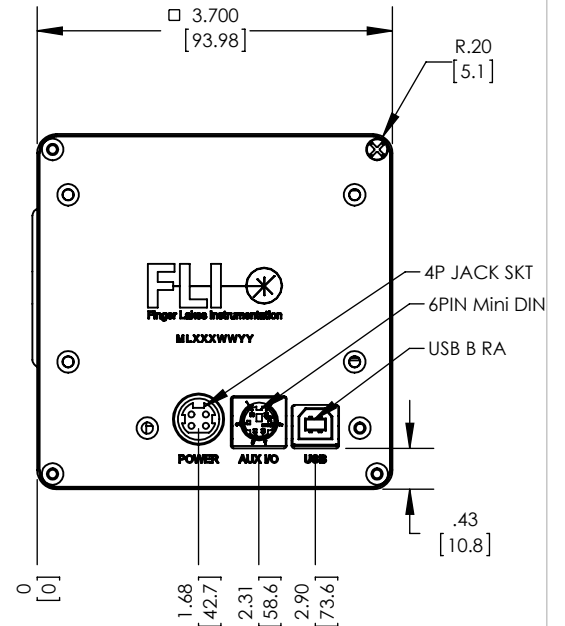
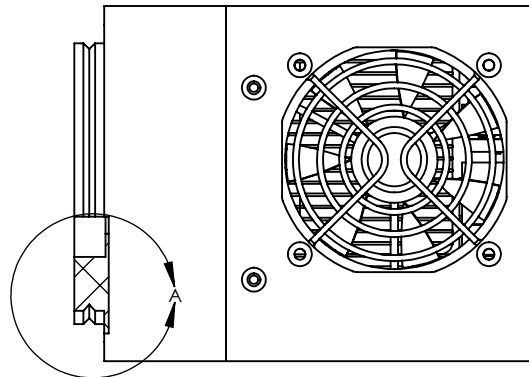
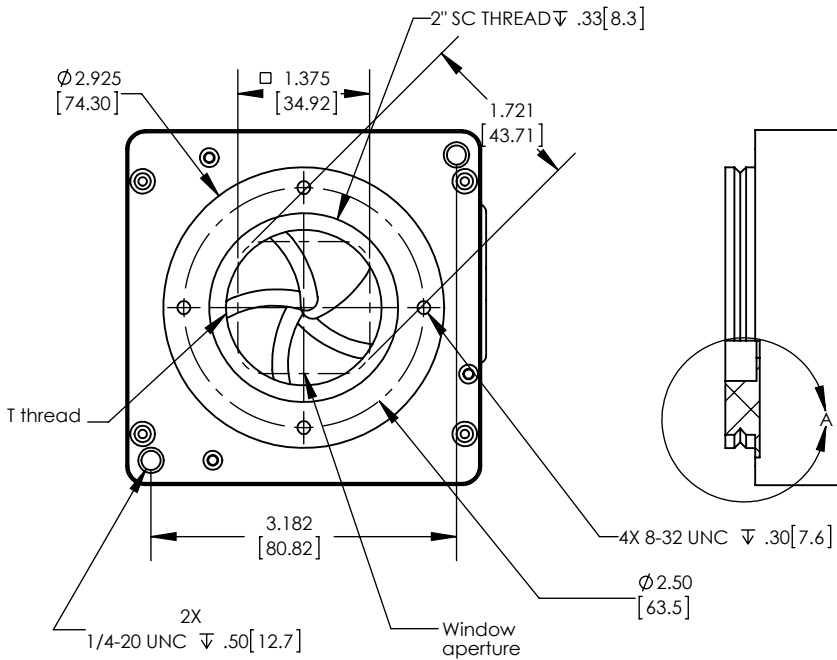
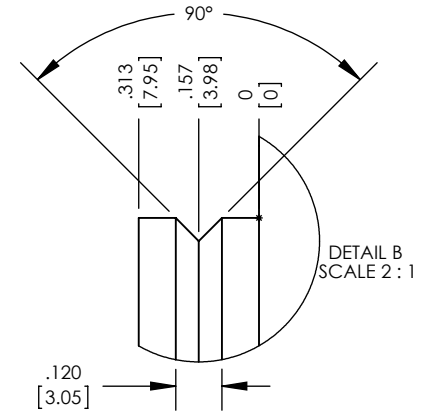
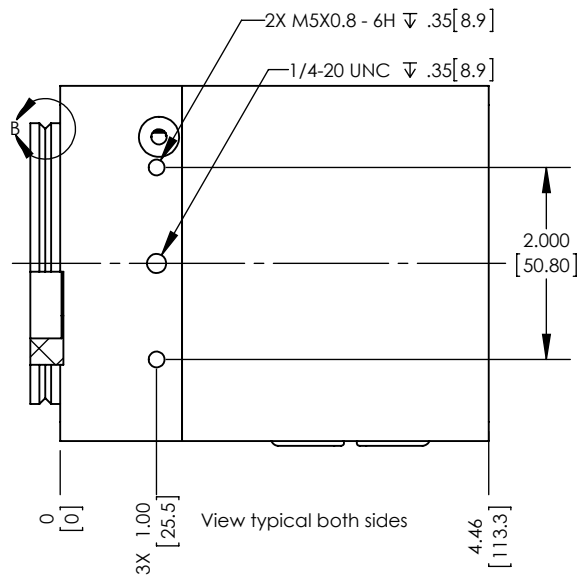
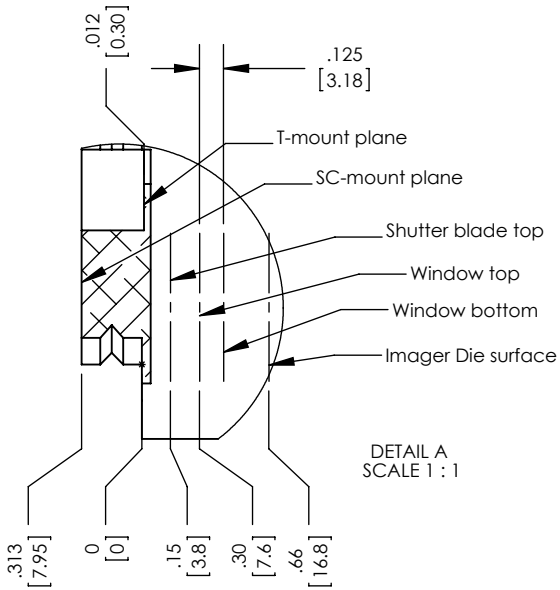


REV.	DESCRIPTION	DATE
A	RELEASE	5/21/14



- NOTES:
- All dimensions are physical.
  - For optical distances:
    - Subtract 1mm for sealing window.
    - Subtract 0.3mm for CCD cover slip if present
  - Unless otherwise noted all dimensions are symmetrical about centerline.

M3VA-		NAME	DATE	Unless otherwise specified dimensions are in inches TOLERANCES: ∠ : ±1° X.XX ±.01 X.XXX ±.003 X.XXXX ±.0005	SIZE
DRAWN	REC	08/11/15			A
ENG.				WT:	
QUALITY				REV	
PROD.				A	
DO NOT SCALE DRAWING				INTERPRET GEOMETRIC TOLERANCING PER: ASME Y14.5	SCALE: 1:2 SHEET 1 OF 1