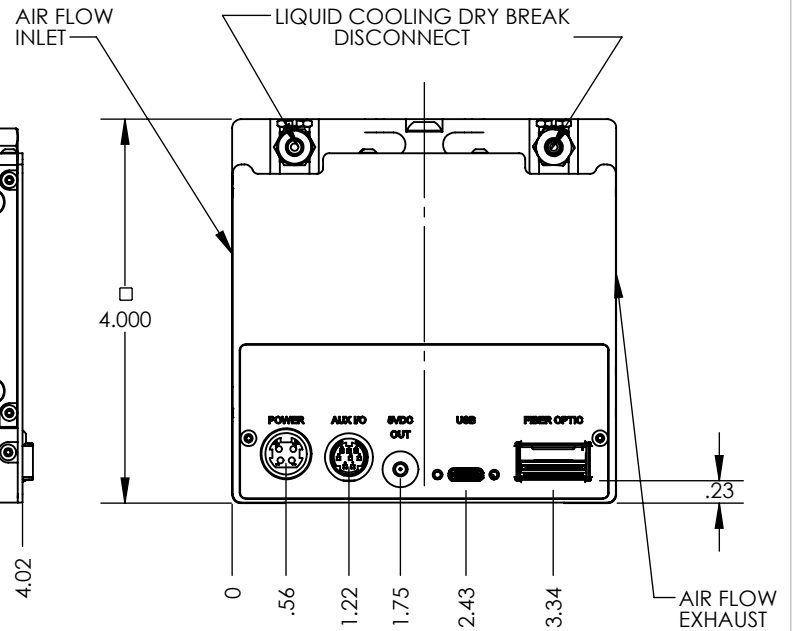
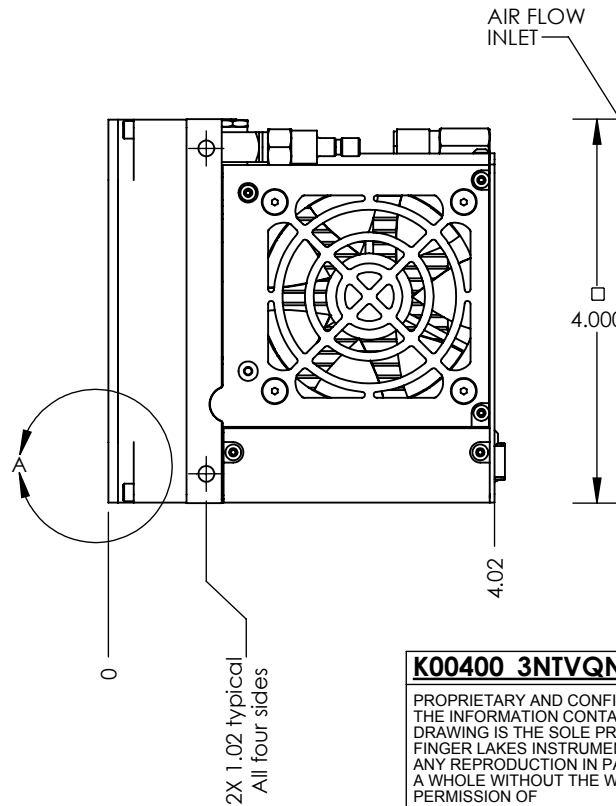
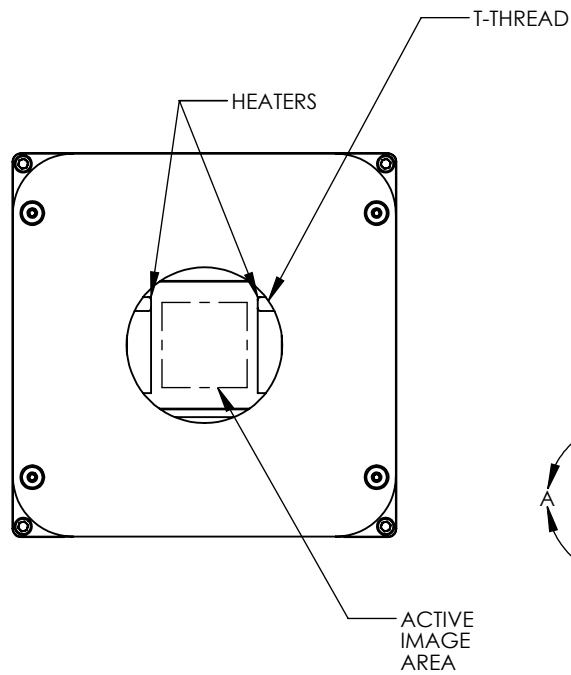
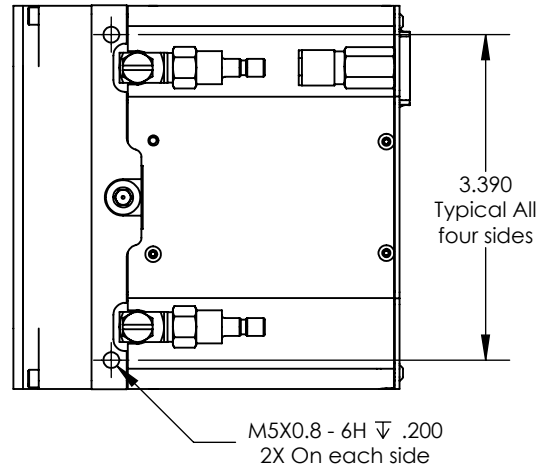
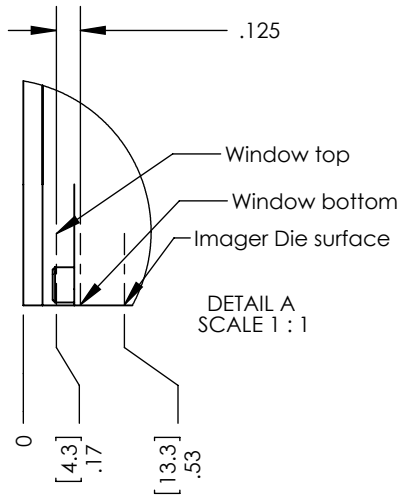


REV.	DESCRIPTION	DATE
A	RELEASE	3/25/17



- NOTES:
- All dimensions are physical.
 - For optical distances:
 - Subtract 1mm for sealing window.
 - Subtract 0.3mm for sensor cover slip if present
 - Unless otherwise noted all dimensions are symmetrical about centerline.

K00400 3NTVQNY

PROPRIETARY AND CONFIDENTIAL:
THE INFORMATION CONTAINED IN THIS
DRAWING IS THE SOLE PROPERTY OF
FINGER LAKES INSTRUMENTATION.
ANY REPRODUCTION IN PART OR AS
A WHOLE WITHOUT THE WRITTEN
PERMISSION OF
FINGER LAKES INSTRUMENTATION
IS PROHIBITED.

	NAME	DATE
DRAWN	REC	3/25/17
ENG.		
QUALITY		
PROD.		
DO NOT SCALE DRAWING		

Unless otherwise specified dimensions are in inches
TOLERANCES:
∇ : ±1°
X.XX ±.01
X.XXX ±.003
X.XXXX ±.0005
INTERPRET GEOMETRIC TOLERANCING PER: ASME Y14.5

SIZE	A
WT:	
REV	A
SCALE: 1:2	
SHEET 1 OF 1	