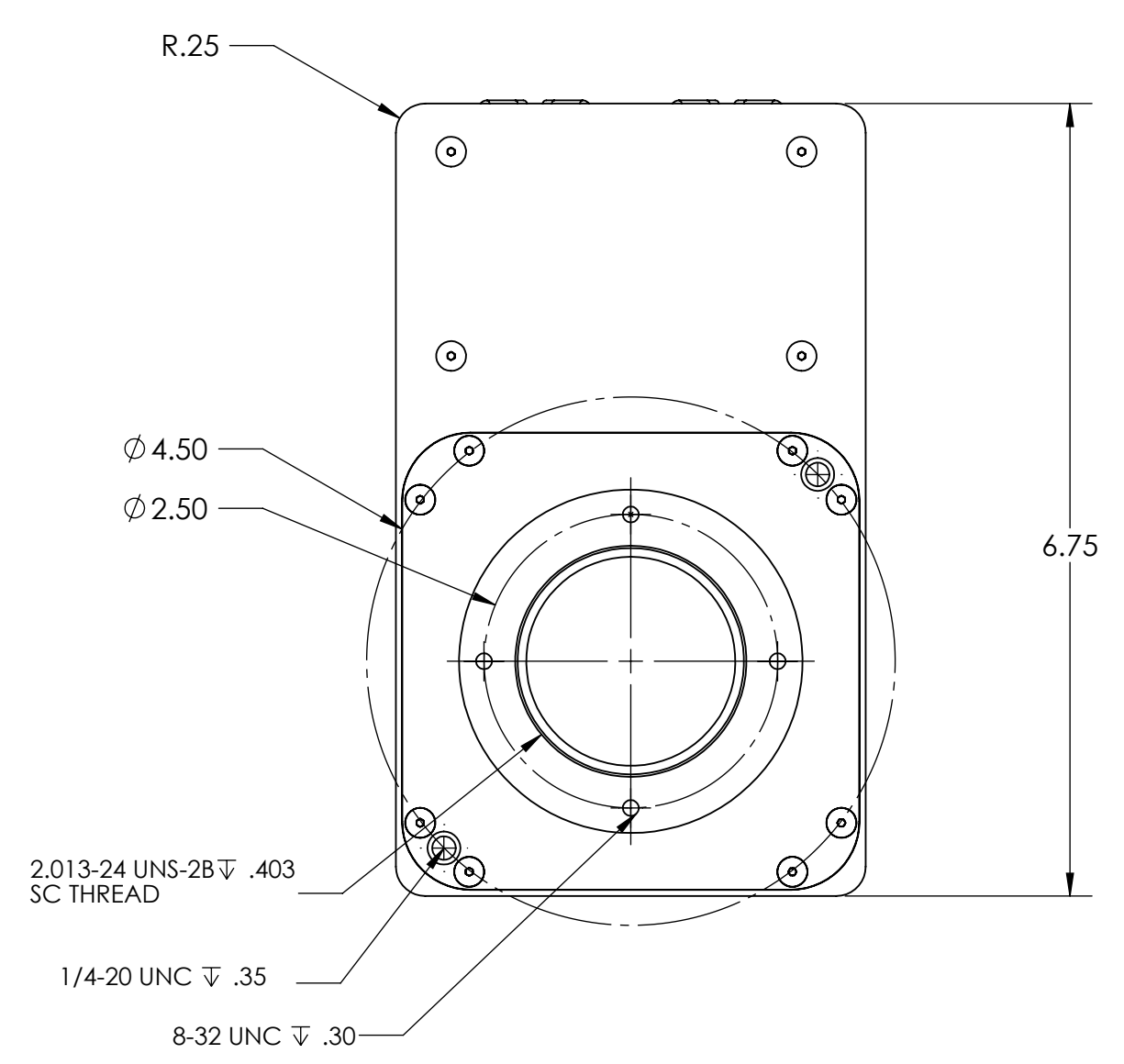
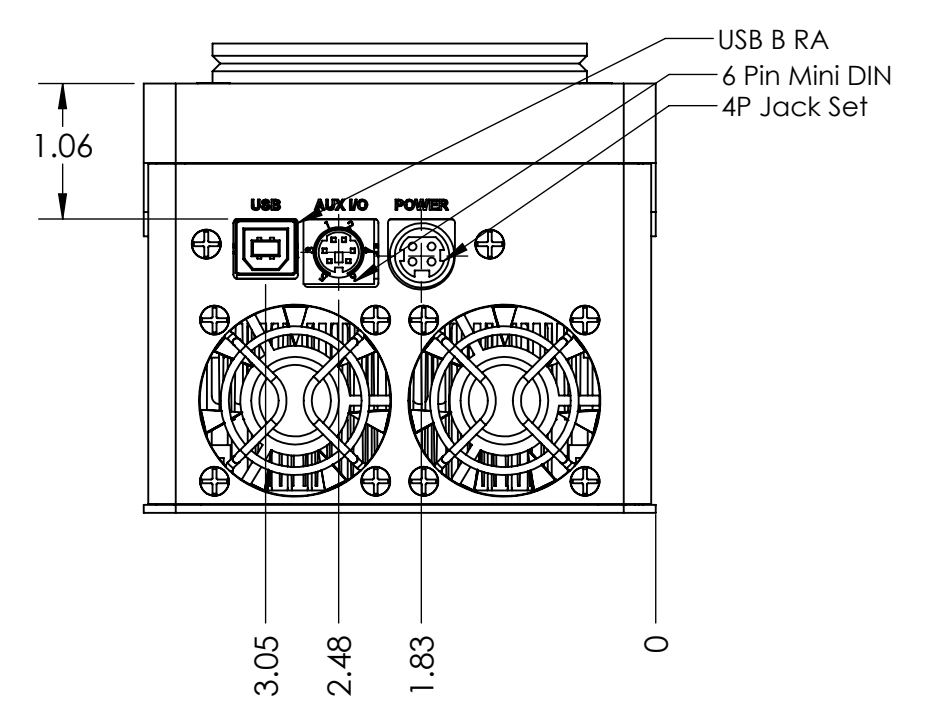
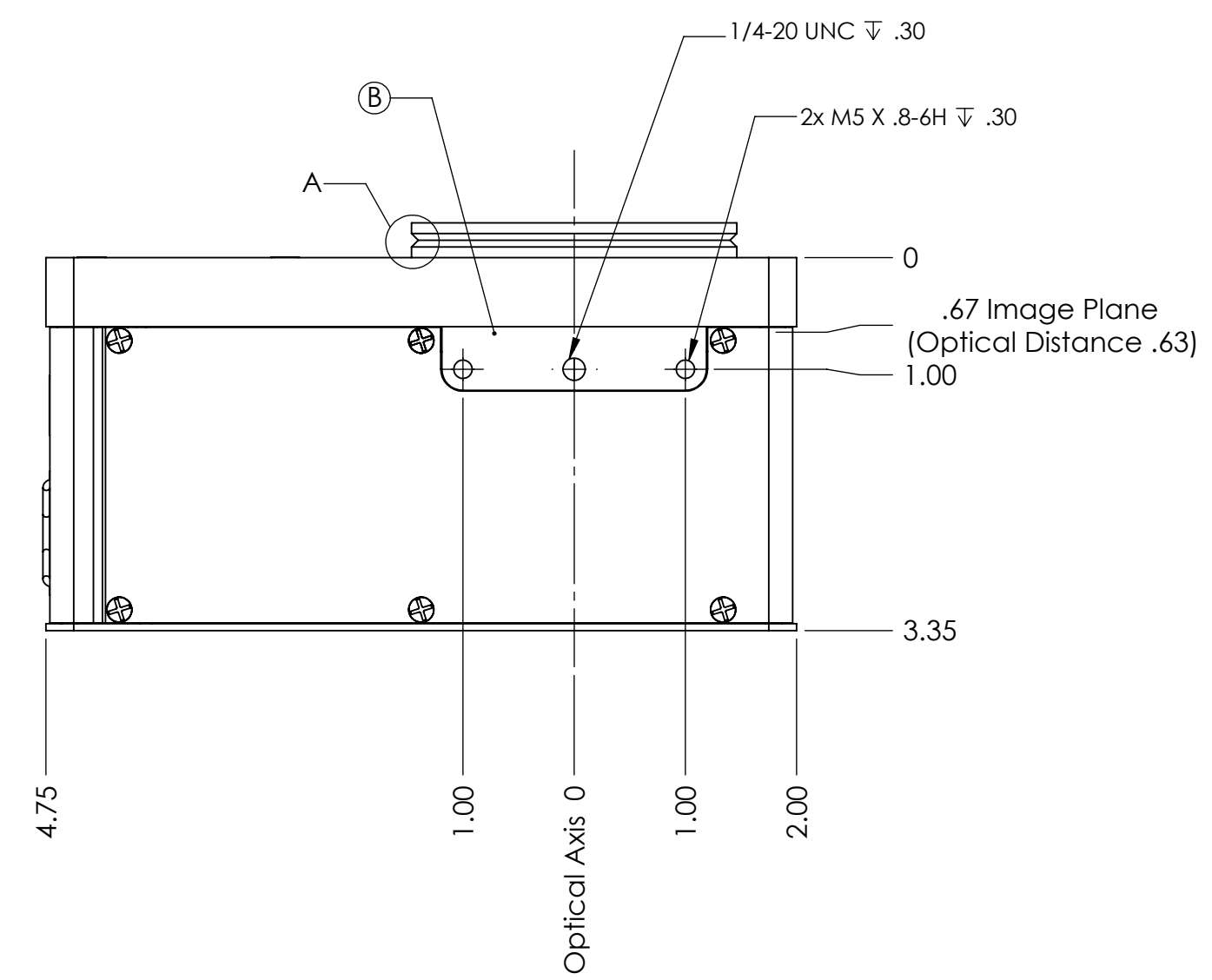
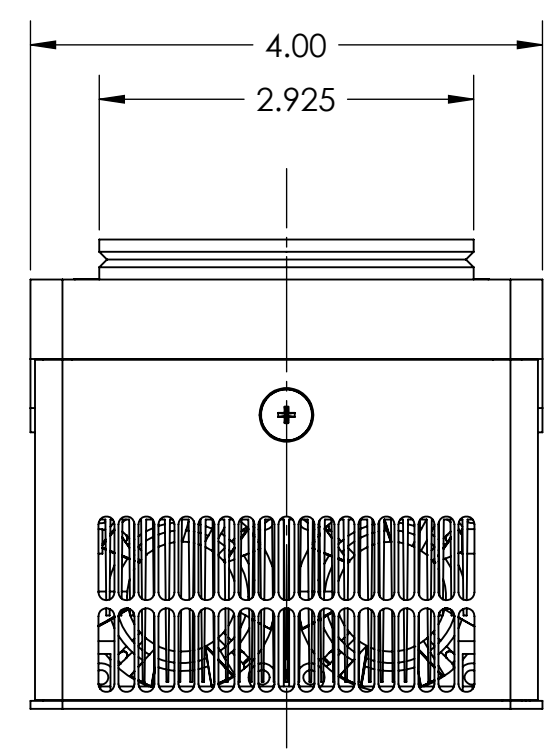
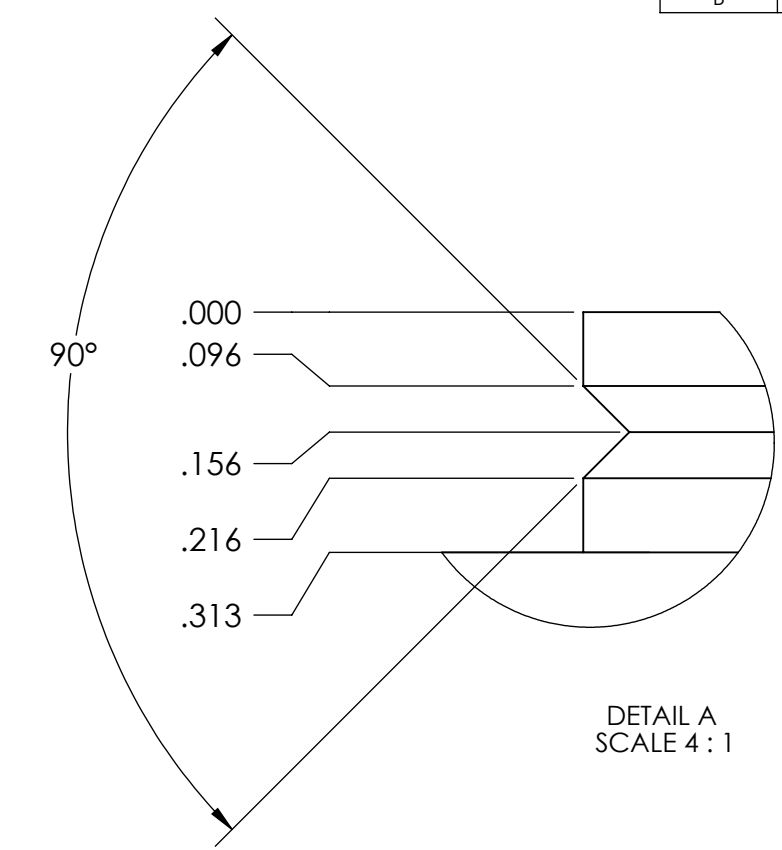
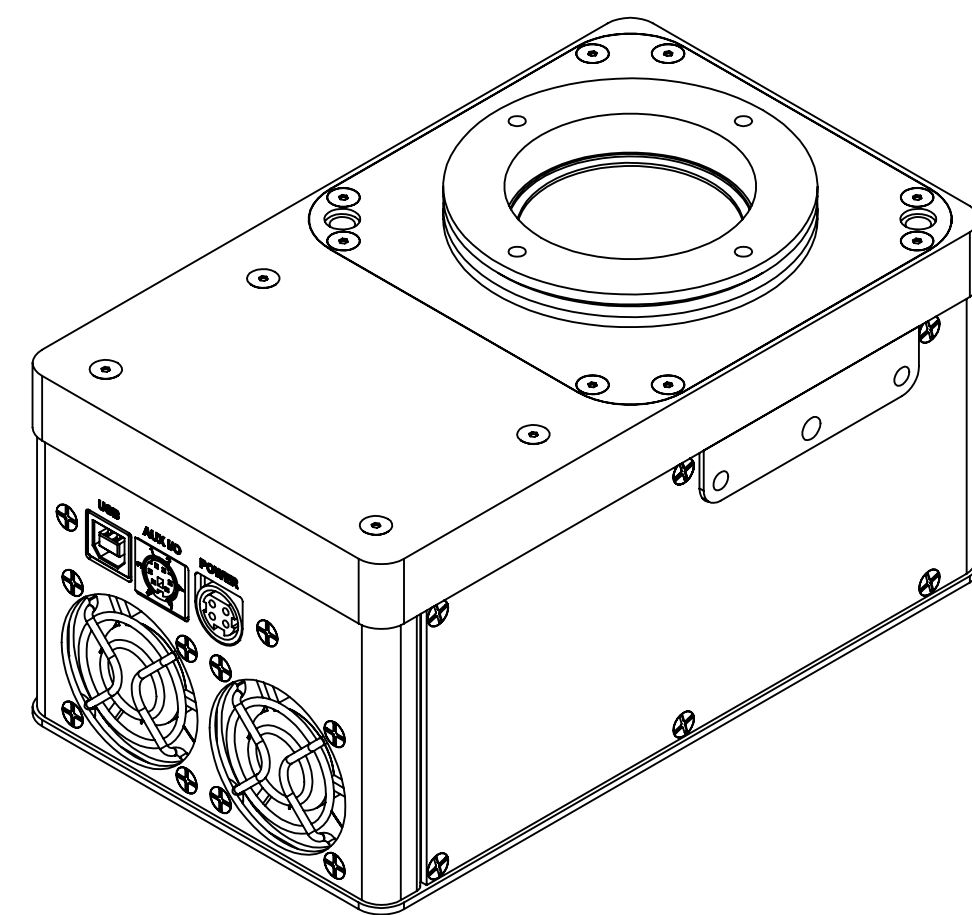


REVISIONS		
REV.	DESCRIPTION	DATE
A	Release	1/11/2011
B	Change side mount cutout	6/14/2011



UNLESS OTHERWISE SPECIFIED:	NAME	DATE	PN: AS10029
DIMENSIONS ARE IN INCHES	DRAWN	CJC	6/14/11
TOLERANCES:	CHECKED		TITLE:
ANGULAR: ±1°	ENG APPR.		ASSY_HP(X)_45MM_AC
TWO PLACE DECIMAL ±.01	MFG APPR.		SIZE
THREE PLACE DECIMAL ±.003			COMMENTS:
FOUR PLACE DECIMAL ±.0005			REV
INTERPRET GEOMETRIC TOLERANCING PER: Q.A.			B
MATERIAL	PROPRIETARY AND CONFIDENTIAL		
FINISH	THE INFORMATION CONTAINED IN THIS DRAWING IS THE SOLE PROPERTY OF FINGER LAKES INSTRUMENTATION. ANY REPRODUCTION IN PART OR AS A WHOLE WITHOUT THE WRITTEN PERMISSION OF FINGER LAKES INSTRUMENTATION IS PROHIBITED.		
DO NOT SCALE DRAWING	SCALE: 1:5	WEIGHT:	SHEET 1 OF 1