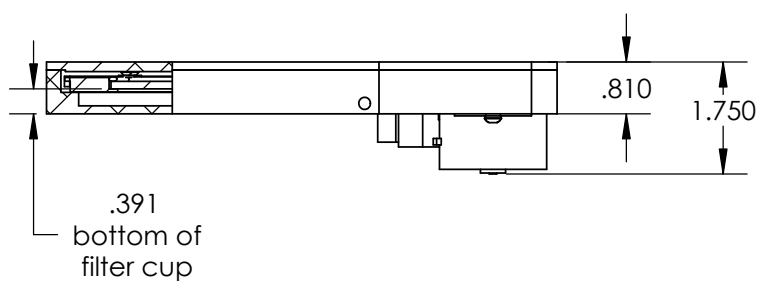
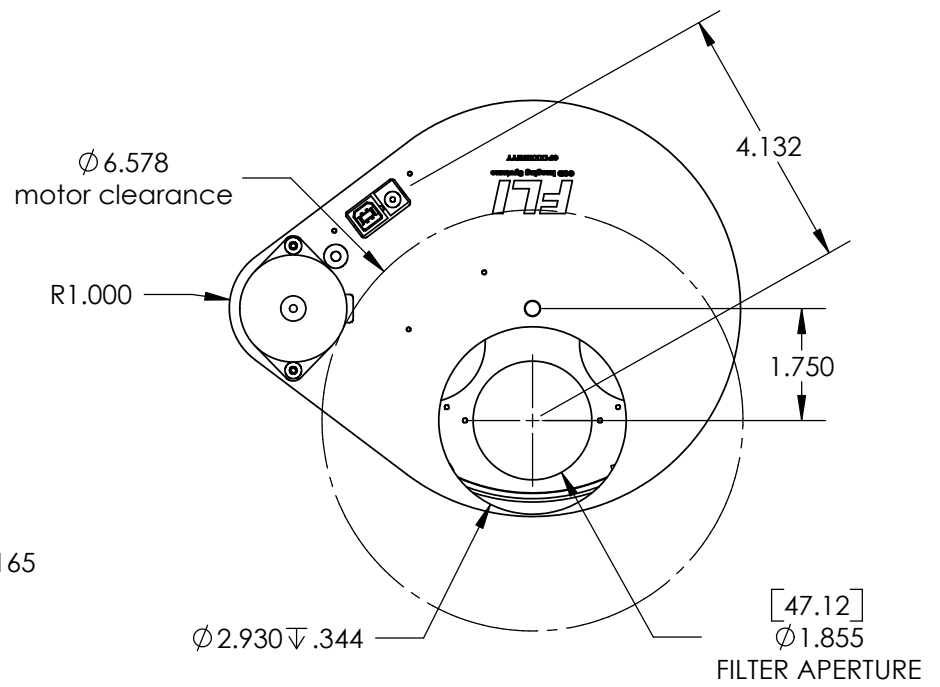
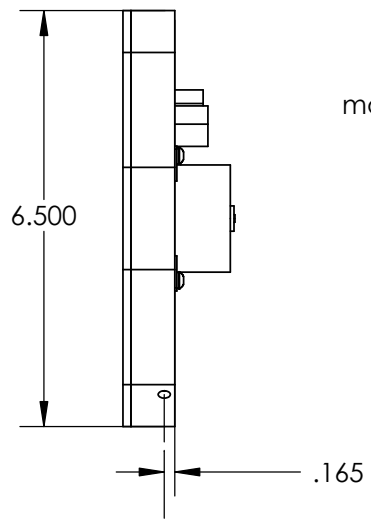
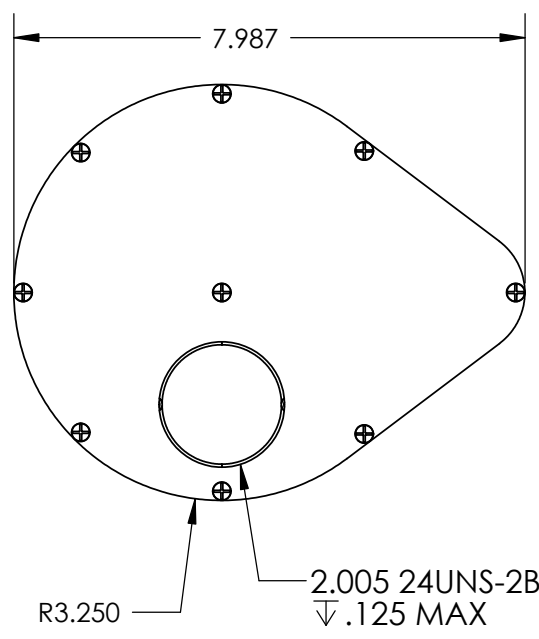


REV.	DESCRIPTION	DATE
A	Remove camera pocket c-bore move set screw	10/7/2010



SIZE	A	NAME	TITLE:	
	DRAWN	REC	CFW1_5R	
UNLESS OTHERWISE SPECIFIED:				
DIMENSIONS ARE IN INCHES				
TOLERANCES:				
ANGULAR: ±1°				
TWO PLACE DECIMAL ±.01				
THREE PLACE DECIMAL ±.003				
FOUR PLACE DECIMAL ±.0005				
PROPRIETARY AND CONFIDENTIAL				
THE INFORMATION CONTAINED IN THIS DRAWING IS THE SOLE PROPERTY OF FINGER LAKES INSTRUMENTATION. ANY REPRODUCTION IN PART OR AS A WHOLE WITHOUT THE WRITTEN PERMISSION OF FINGER LAKES INSTRUMENTATION IS PROHIBITED.				REV
COMMENTS:				A
SCALE: 1:3	DO NOT SCALE DRAWING	SHEET 1 OF 1		