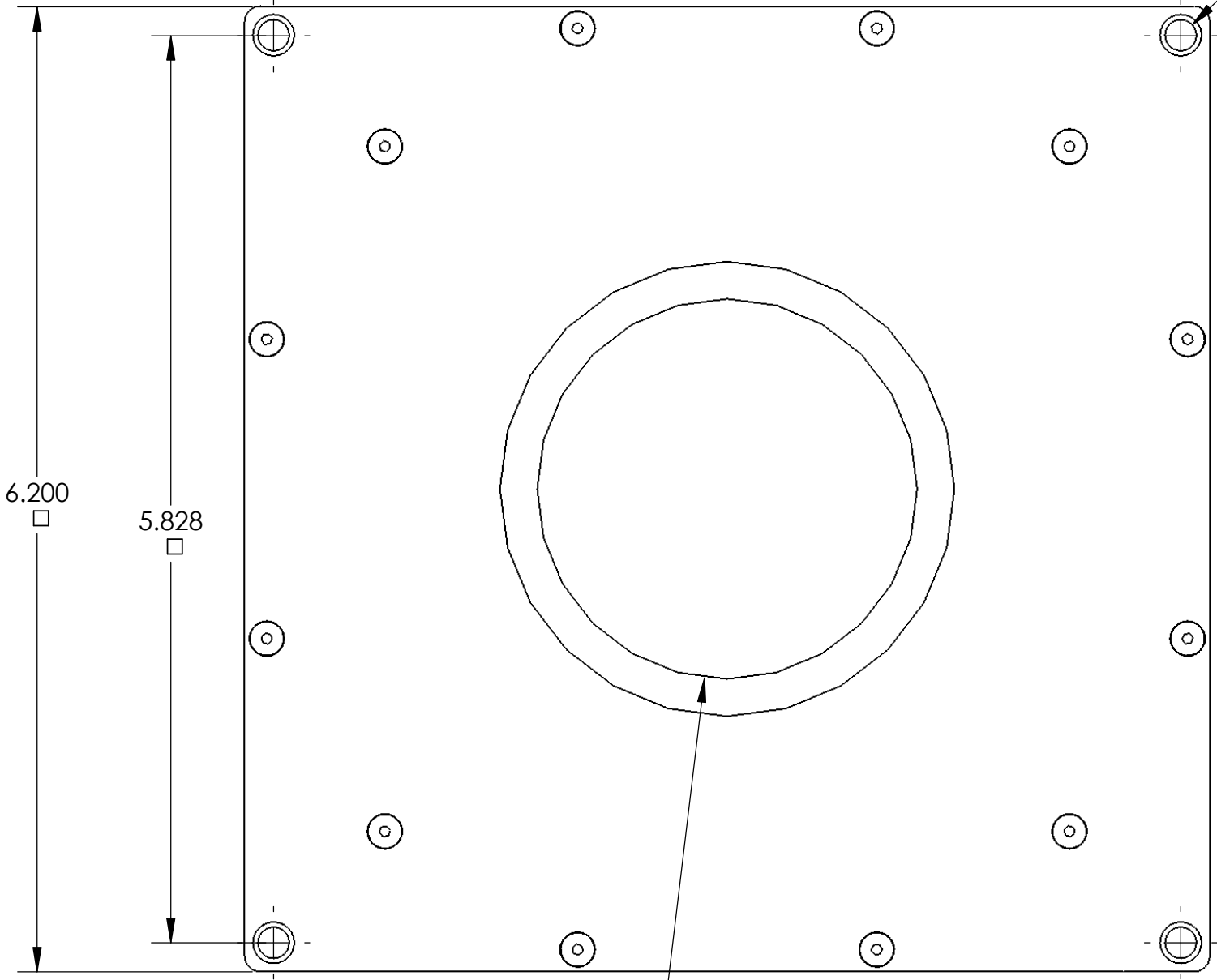


1/4-20 UNC - 2B ∇ .500



6.200
□

5.828
□

[62]
Ø2.441 APERTURE