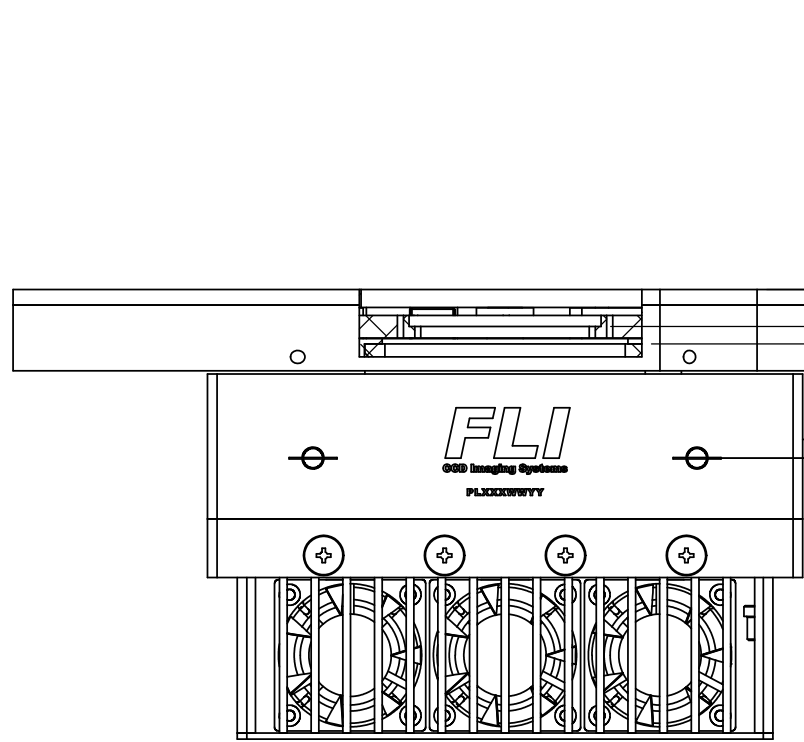
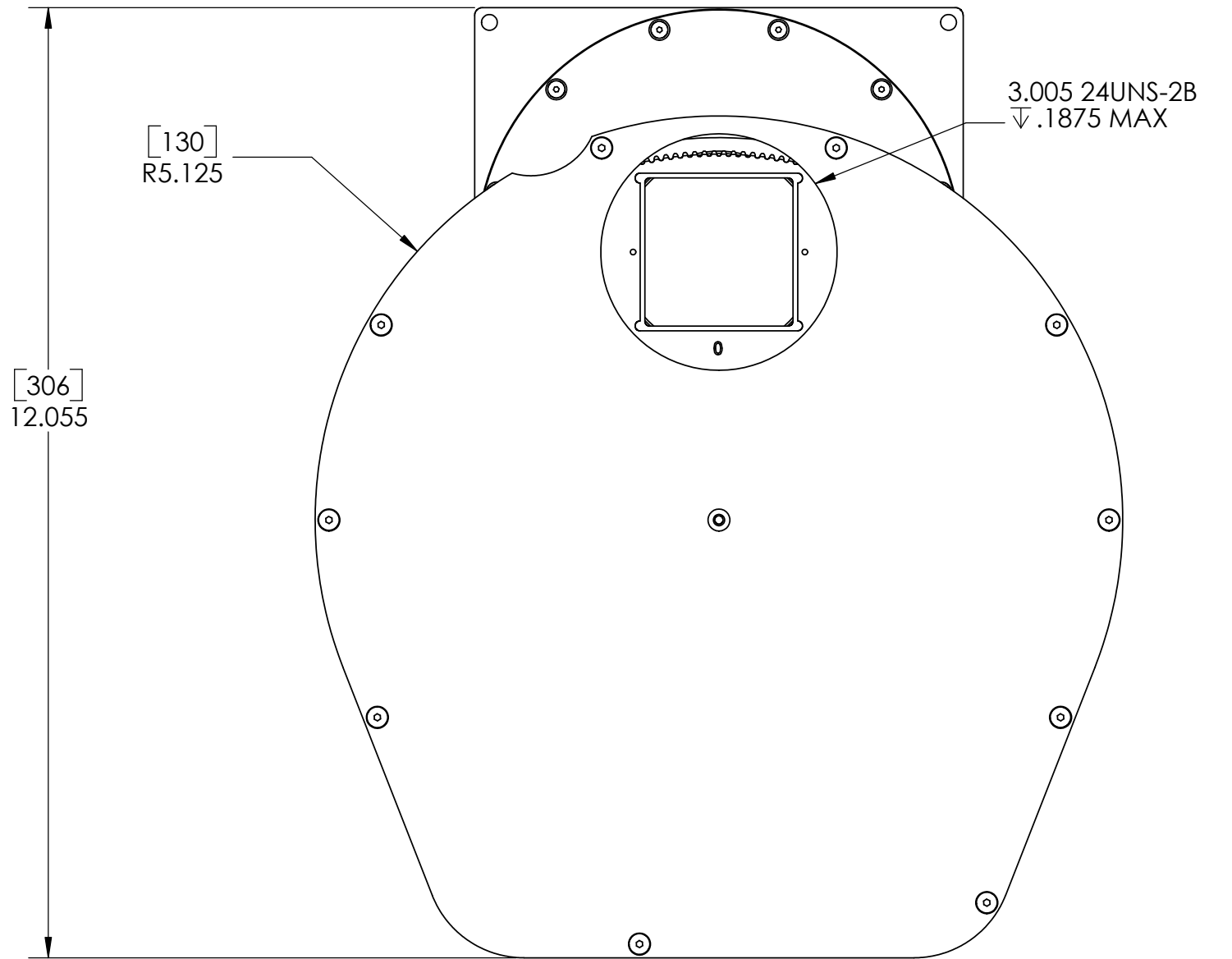


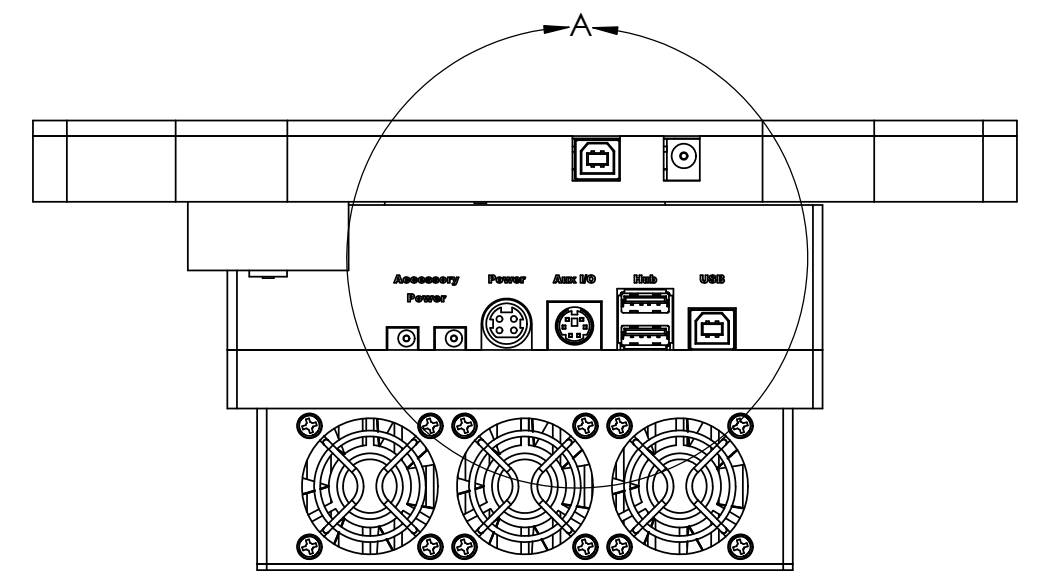
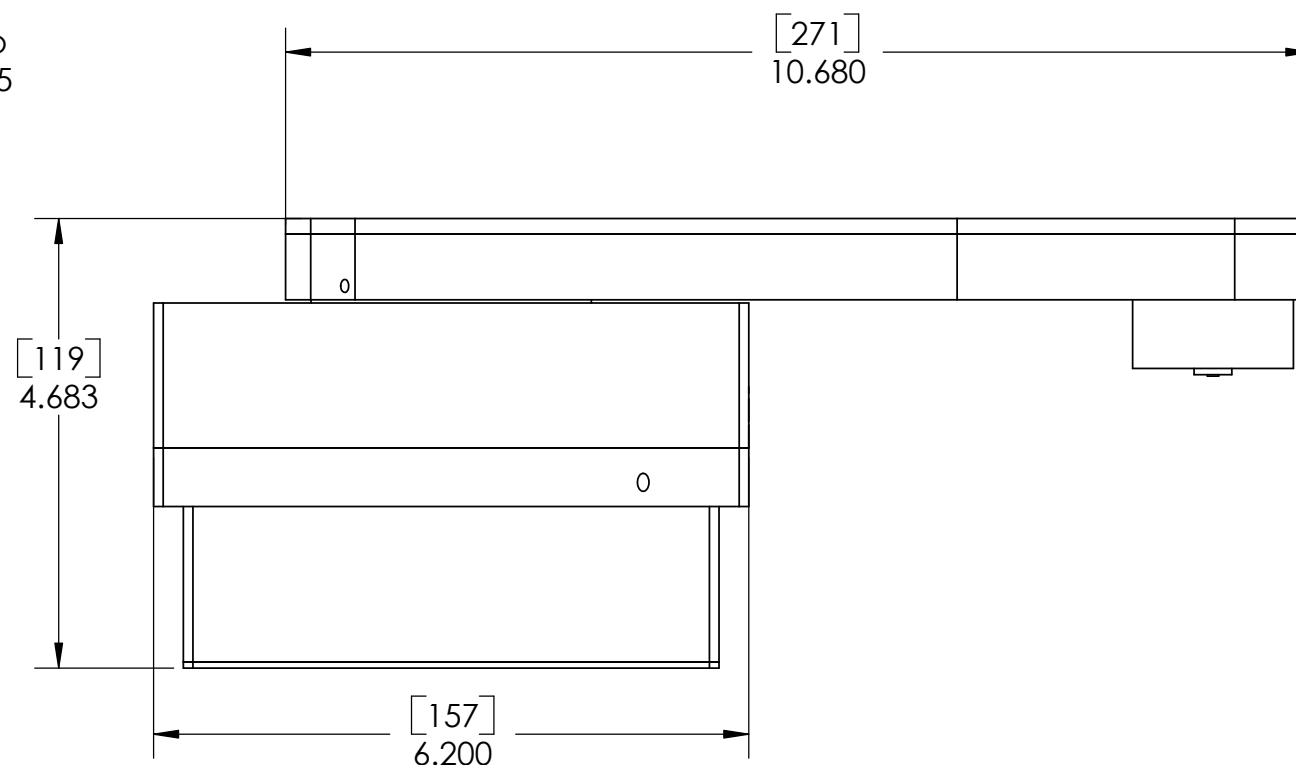
DETAIL A
SCALE 1.5 : 1



[45]
1.758
CCD face to
front of CFW5

[35]
1.372
CCD face to
bottom of
filter cup

[30]
1.190
CCD face to
front of Camera
flange.



PROPRIETARY AND CONFIDENTIAL
THE INFORMATION CONTAINED IN THIS DRAWING IS THE SOLE PROPERTY OF FINGER LAKES INSTRUMENTATION. ANY REPRODUCTION IN PART OR AS A WHOLE WITHOUT THE WRITTEN PERMISSION OF FINGER LAKES INSTRUMENTATION IS PROHIBITED.

		UNLESS OTHERWISE SPECIFIED:		NAME	DATE	NA	
		DIMENSIONS ARE IN INCHES		DRAWN	REC	02/15/07	TITLE: PL ASSY
		TOLERANCES:		CHECKED			
		ANGULAR: ±1°		ENG APPR.			
		TWO PLACE DECIMAL ±.01		MFG APPR.			
		THREE PLACE DECIMAL ±.003		Q.A.			SIZE DWG. NO. REV C PL CFW5-xx 00
		FOUR PLACE DECIMAL ±.0005		COMMENTS:			
		INTERPRET GEOMETRIC TOLERANCING PER:					SCALE: 1:2
		MATERIAL NA					WIEGHT: NA
		FINISH NA					SHEET 1 OF 1
NEXT ASSY	USED ON	APPLICATION		DO NOT SCALE DRAWING			