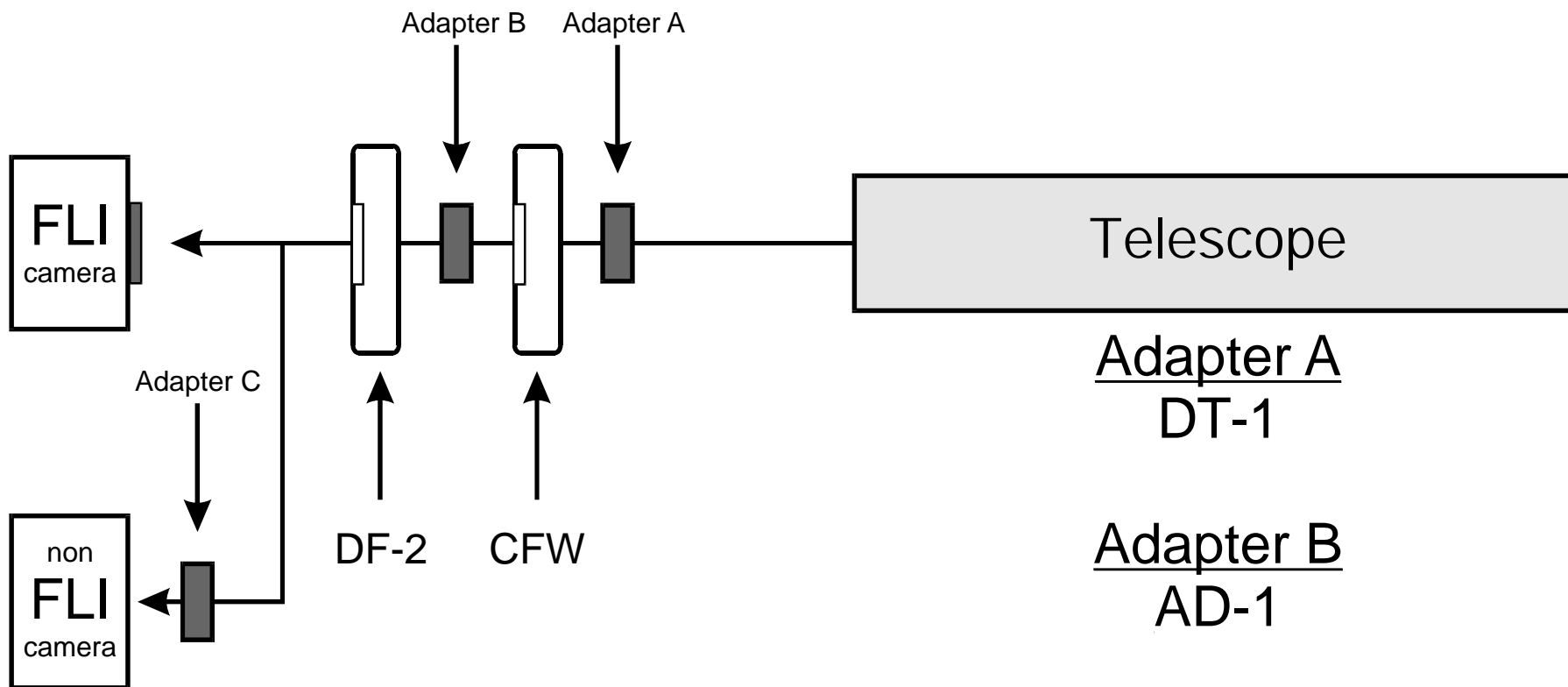


Adapter Chart #2

Telescope to CFW, DF-2 and camera



Adapter A
DT-1

Adapter B
AD-1

Adapter C

STL requires AD-11

T-thread requires AD-2

2" SC thread requires AD-1