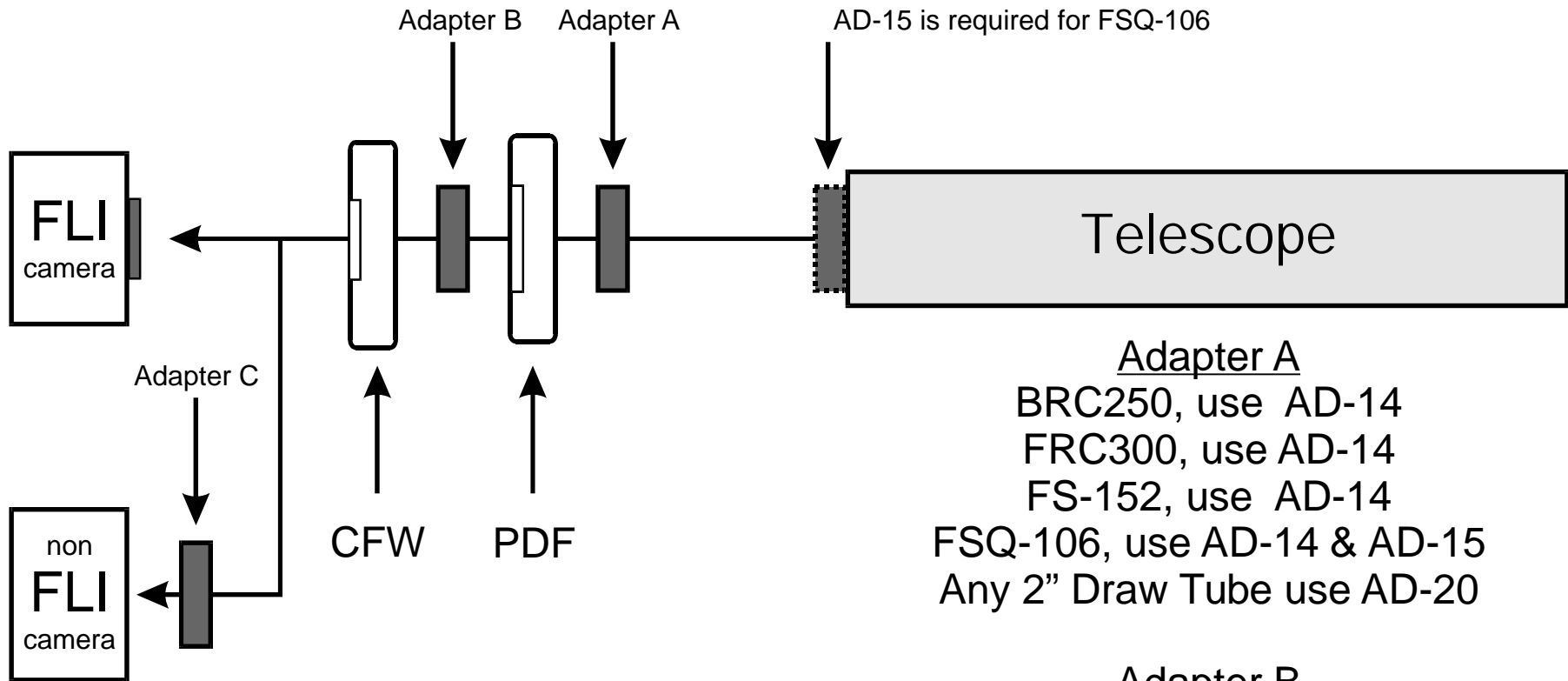


Adapter Chart #1

Telescope to PDF, CFW and camera



Adapter A
BRC250, use AD-14
FRC300, use AD-14
FS-152, use AD-14
FSQ-106, use AD-14 & AD-15
Any 2" Draw Tube use AD-20

Adapter B
AD-13

Adapter C
STL requires AD-11
2" SC thread requires AD-1
T-thread requires AD-2